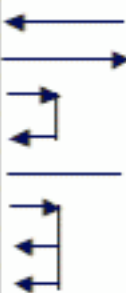


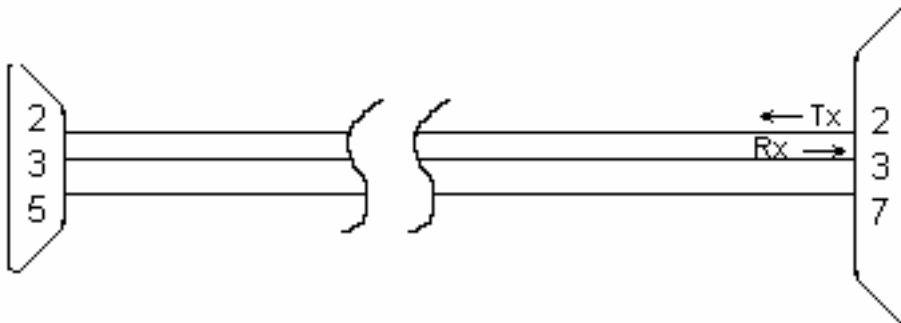
RS232 SERIAL COMMUNICATION CABLE PINOUTS

Microscan RS232 serial communication cables

Pin Connections as at PC		
DB9	DB25	Function
2	3	Rxd
3	2	Txd
4	20	DTR
6	6	DSR
5	7	Gnd
7	4	RTS
8	5	CTS
1	8	DCD

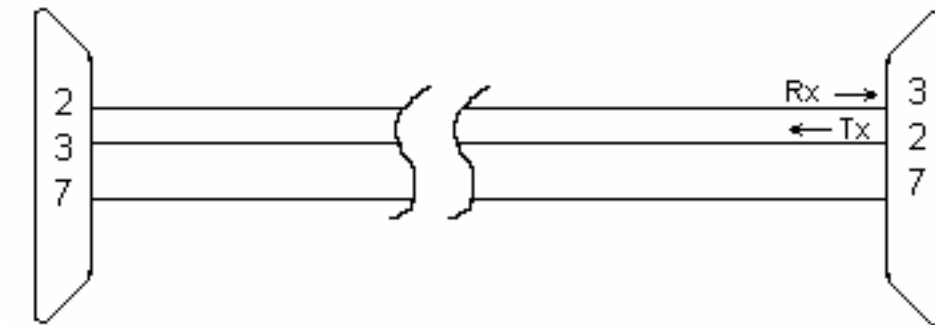


9 Pin plug on computer (Serial Port)



- 25 pin D-Plug: (MS-3000, IB105, IB131)
- 25 pin D-Skt: (MS-850, Quadrus)
- 28 pin Connector: (MS-7100)

25 Pin plug on computer (Serial Port)



- 25 pin D-Plug: (MS-3000, IB105, IB131)
- 25 pin D-Skt: (MS-850, Quadrus)
- 28 pin Connector: (MS-7100)

Please note all Microscan products are configured as DTE and require a Null-Modem cable when connected to a computer. Communications are 12v RS-232 levels.

Do not connect any more wires than are needed, the Microscan port uses many of the pins for non-communication functions.

If in doubt please call and ask for help.